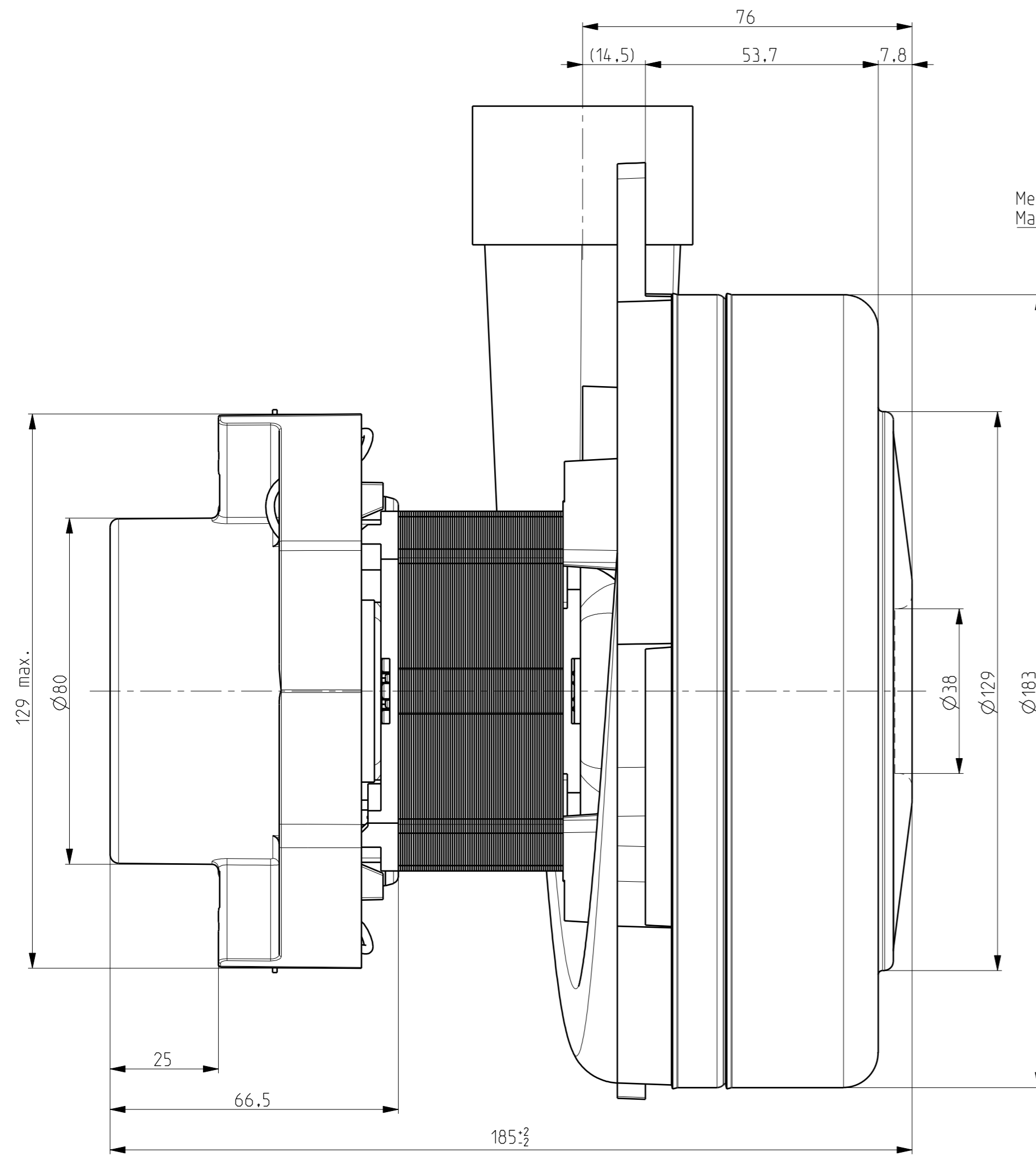
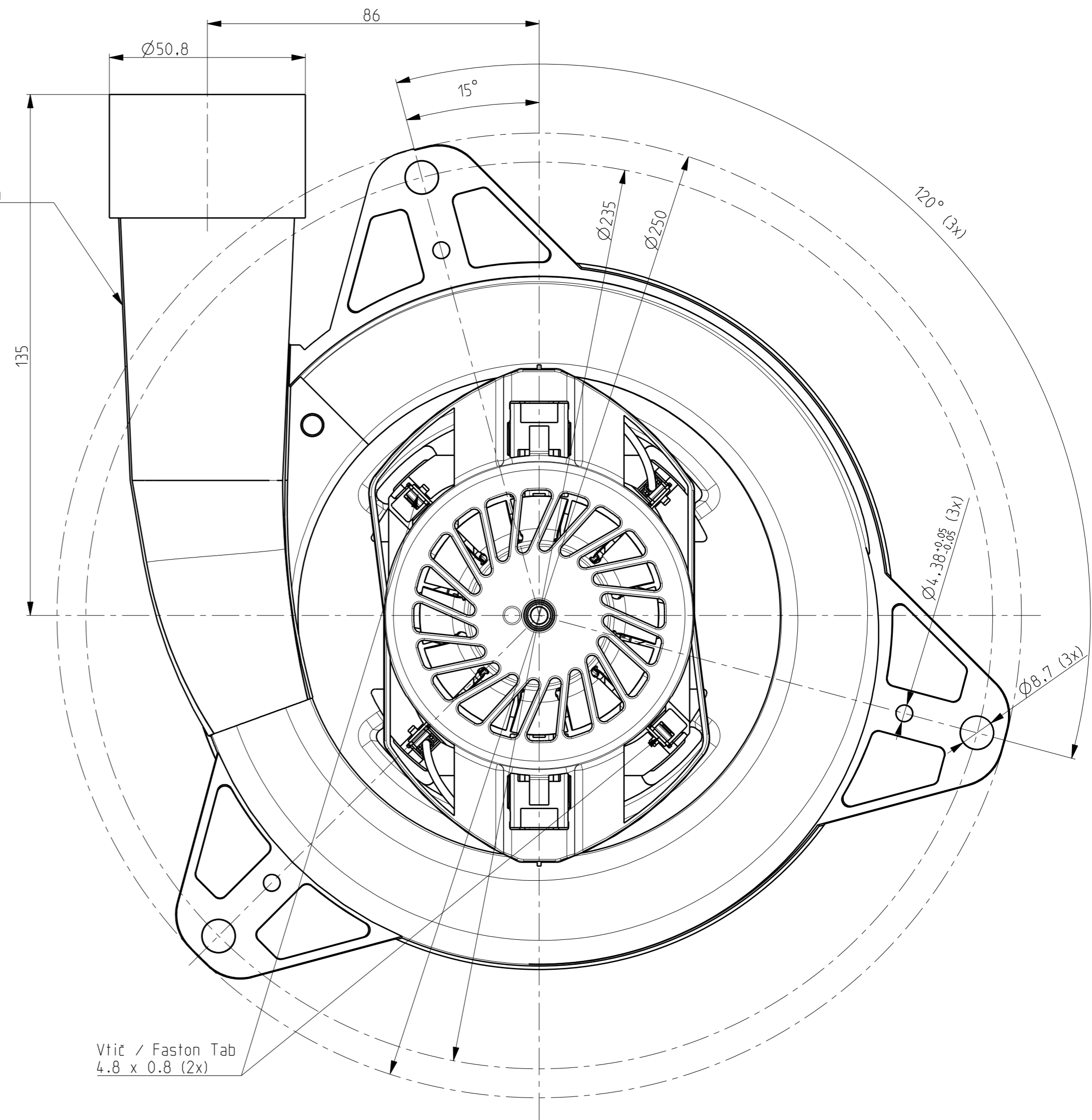


NAPETOST VOLTAGE	120 V
FREKVENCA FREQUENCY	60 Hz
NAZIVNA MOČ NOMINAL POWER	1800 W

Po UL predpisih
In accordance with UL



Mesto žigosanja
Marking position



Vtič / Faston Tab
4.8 x 0.8 (2x)

Podatki na žigu
Marking contents

DOMEL 499.3.701 120 V
ECVS 300371 60 Hz
dd.mm.yyyy 1800 W
Made in Slovenia AOM

OSNOVNE ZNAČILNOSTI		TYPICAL CHARACTERISTICS	
IZVEDBA	DVOSTOPENJSKA	FAN SYSTEM	TWO STAGE
VLEŽAJENJE	DVA KROGLIČNA LEŽAJA	BEARINGS	DUAL BALL
VRSTA PRETOKA	MIMO MOTORJA	DISCHARGE	BY PASS
SMER VRTENJA	LEVA	DIRECTION OF ROTATION	CCW

Tolerance odprtih mer Tolerances without individual indications		Površinska hrapavost Surface Finishing		Merilo Scale	1:1	Original format ISO 5457 - A2
ISO 2768 - m				Gradivo / Material		
Datum/Date		Ime/Name		Naziv Title		
Izdelal Designed		05.05.2009 A. Solar		SESALNA ENOTA VACUUM CLEANER MOTOR		
Prejeto Verified		20.07.2009 J. Rintarsic		Koda Code		
				499.3.701		
Ozn. Mark	Št. No. of notice	Datum Date	Ime Name	DOMEL®		List Sheet
B3	9065	20.07.2009	A. Solar	Otoki 21. 4228 Železniki, Slovenija		3+
A0	8979	12.05.2009	A. Solar			Stran Page
						1
				4993701000_SESALNA_ENOTA		

Izdelano s CAD/ProEngineer - ročno spreminjanje ni dovoljeno! Vsak prenos, tiskanje ali uporaba v nedopovrjene namene ni dovoljena po zakonu o avtorskih pravicah. Made with CAD/ProEngineer - changing is not allowed! Any unauthorized copying of this drawing or unauthorized distribution of the information contained herein is prohibited.