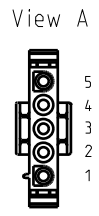
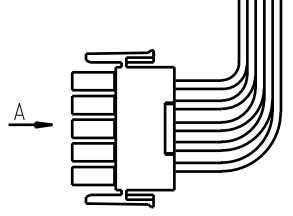
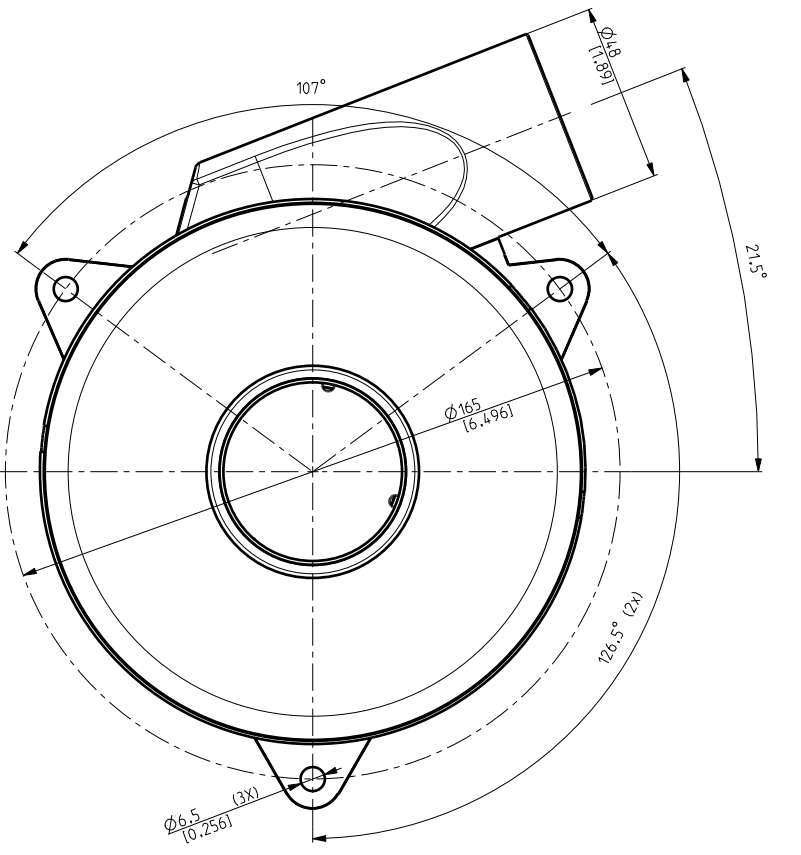
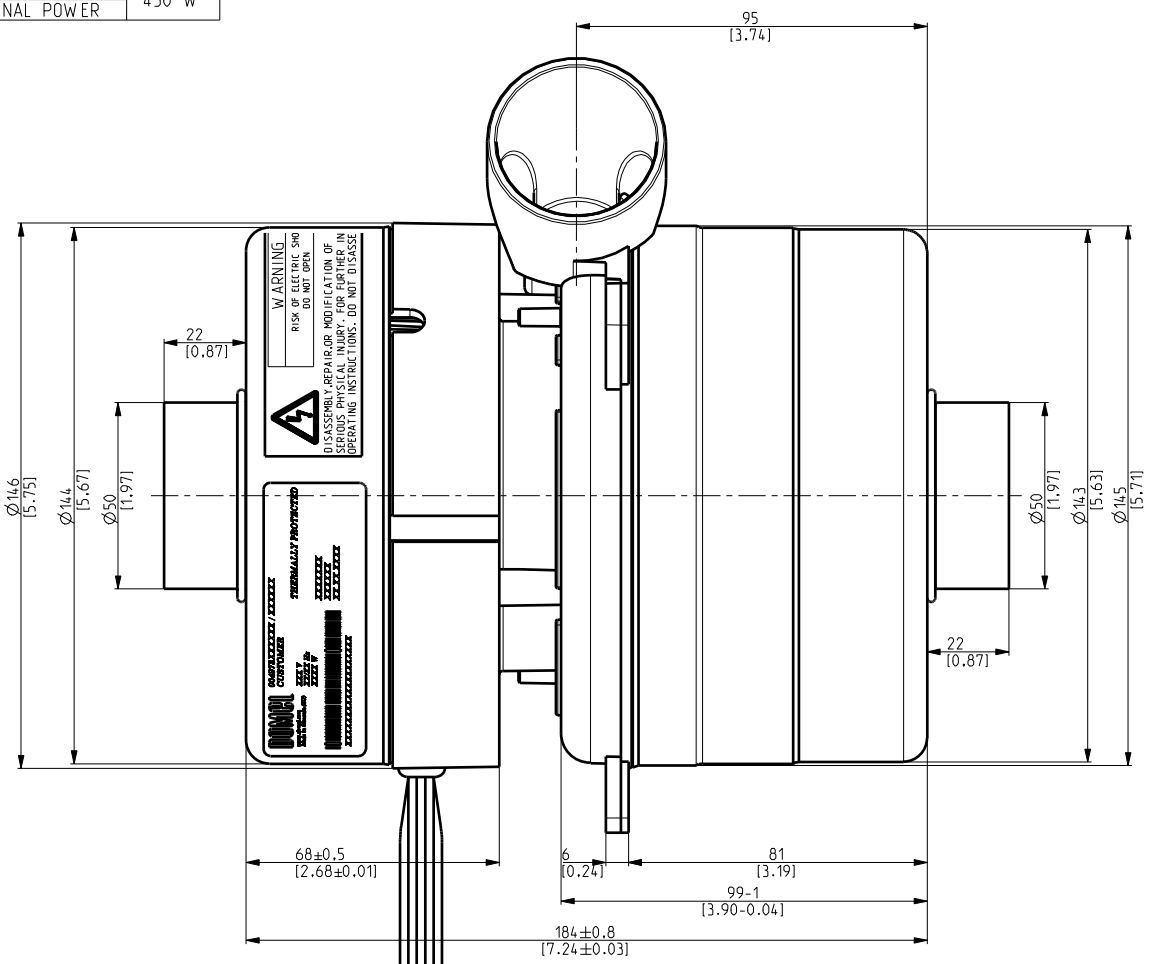


NAPETOST VOLTAGE	120 V
FREKVENCA FREQUENCY	50 Hz
NAZIVNA MOČ NOMINAL POWER	450 W

Ime modela 4973265432_SESALNA_ENOTA



CONNECTOR AMP 350809-1			
PIN	COLOR		
5	black	AC INPUT	120V±10%
4	black	AC INPUT	120V±10%
3	ye-gr	EARTH	
2	red	High	Isolated speed
1	blue	Low	Control 0-10V DC

OSNOVNE ZNAČILNOSTI		TYPICAL CHARACTERISTICS	
IZVEDBA	TROSTOPENJSKA	FAN SYSTEM	THREE STAGE
VLEŽAJENJE	DVA KROGLIČNA LEŽAJA	BEARINGS	DUAL BALL
VRSTA PRETOKA	MIMO MOTORJA	DISCHARGE	BY PASS
SMER VRTENJA	LEVA	DIRECTION OF ROTATION	CCW

Tolerance according to individual indications	ISO 2768 - m	Dimenzija brez površinskega končnega obdelave	ISO 5457 - A2
Datum/Date	18.6.09	Ime/Name	B. Pajk
Projekt/Designed		Naziv/Title	PUHALO
Koda Code		497.3.265-432	
Ime/Name		DOMEL®	
Datum/Date		Bloki 21, 4228 Zeleniki, Slovenija	
Stran/Page		1	

Original format ISO 5457 - A2
List Sheet 3v
Stran Page 1