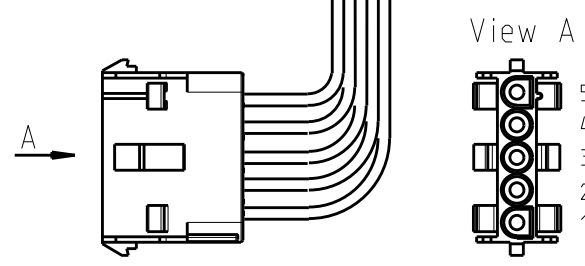
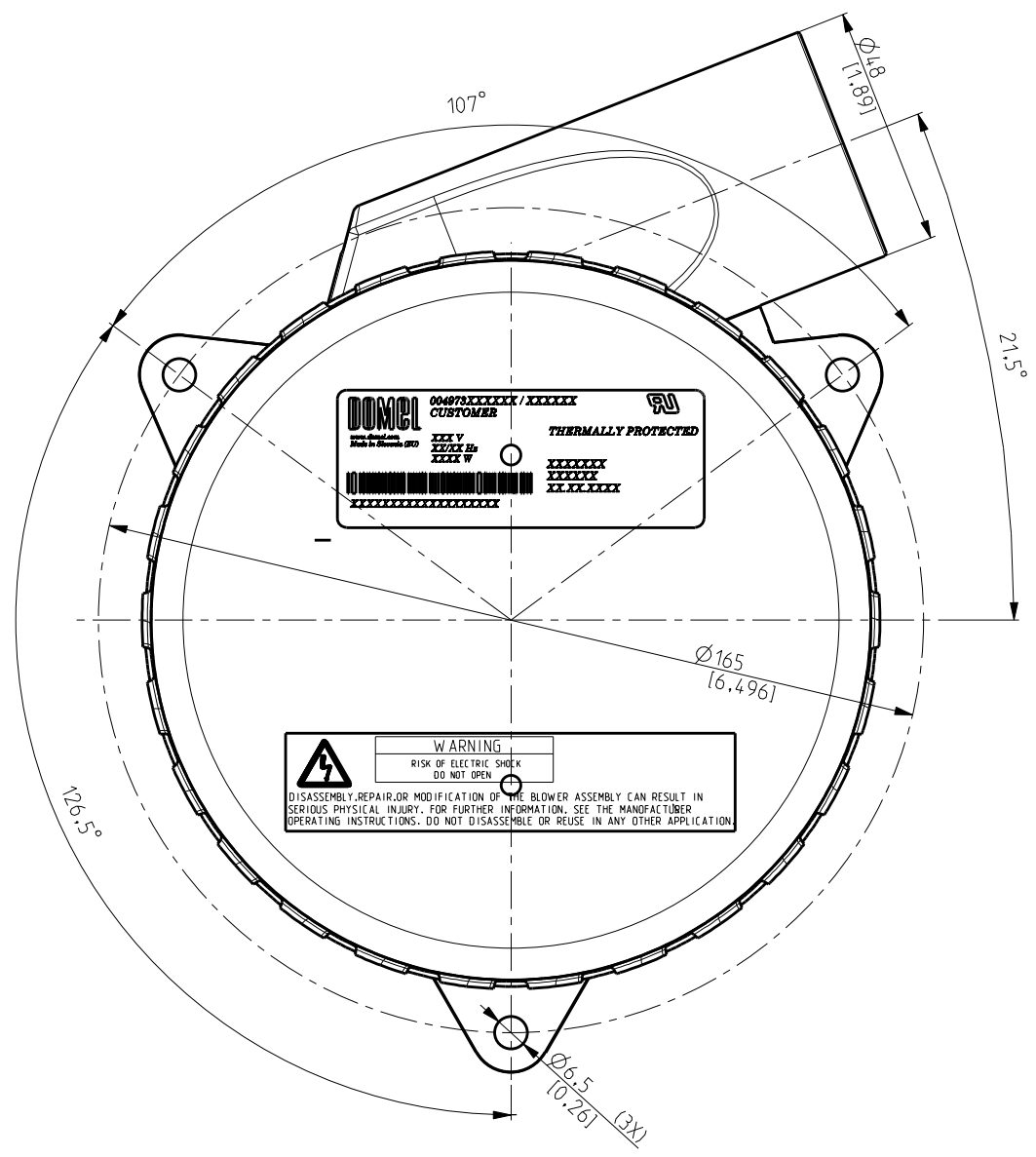
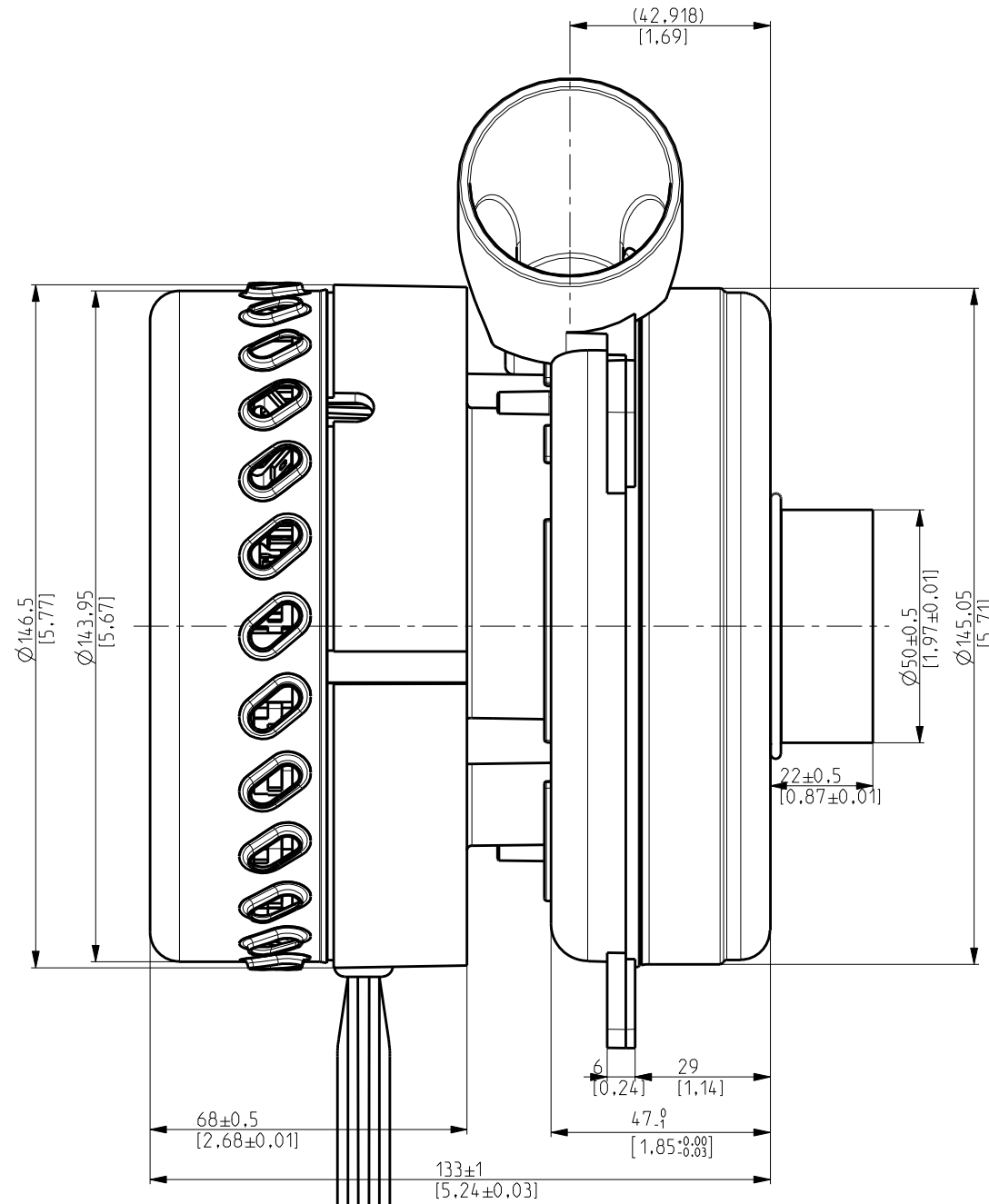


NAPETOST VOLTAGE	230 V
FREKVENCA FREQUENCY	50 Hz
NAZIVNA MOČ NOMINAL POWER	450 W



CONNECTOR AMP 350810-1			
PIN	COLOR		
5	black	AC INPUT	230V±10%
4	black	AC INPUT	230V±10%
3	ye-gr	EARTH	
2	red	High	Isolated speed Control 0-10V DC
1	blue	Low	Control 0-10V DC

OSNOVNE ZNAČILNOSTI		TYPICAL CHARACTERISTICS	
IZVEDBA	ENOSTOPENJSKA	FAN SYSTEM	SINGLE STAGE
VLEŽAJENJE	DVA KROGLIČNA LEŽAJA	BEARINGS	DUAL BALL
VRSTA PRETOKA	MIMO MOTORJA	DISCHARGE	BY PASS
SMER VRTENJA	LEVA	DIRECTION OF ROTATION	CCW

Tolerance odprtih mer Tolerances without individual indications		ISO 2768 - m		Merilo Scale 1:1		Original format ISO 5457 - A2	
Površinska hrapavost Surface finishing				Gradivo / Material			
Datum/Date		10.03.10		Ime/Name		Koblar U.	
zdelal Designed				Naziv Title		PUHALO BLOWER	
Pregl. Verified				Koda Code		497.3.265-326	
Ozn. Mark		St. obvestila No. of notice		Datum Date		Ime Name	
AO							
DOMEL®		Otoki 21, 4228 Železniki, Slovenija		List Sheet		3+	
				Stran Page		1	

Izdelano s CAD/ProEngineer - ročno spreminjanje ni dovoljeno! Vsak prenos tretjim osebam ali uporaba v nedogovorjeno namene ni dovoljena v skladu z avtorskih pravicah.  
 Made with CAD/ProEngineer - changing is not allowed! Any unauthorized copying or unauthorized distribution of the information contained herein is prohibited.